



[DSC100]

Organic material - surely green energy

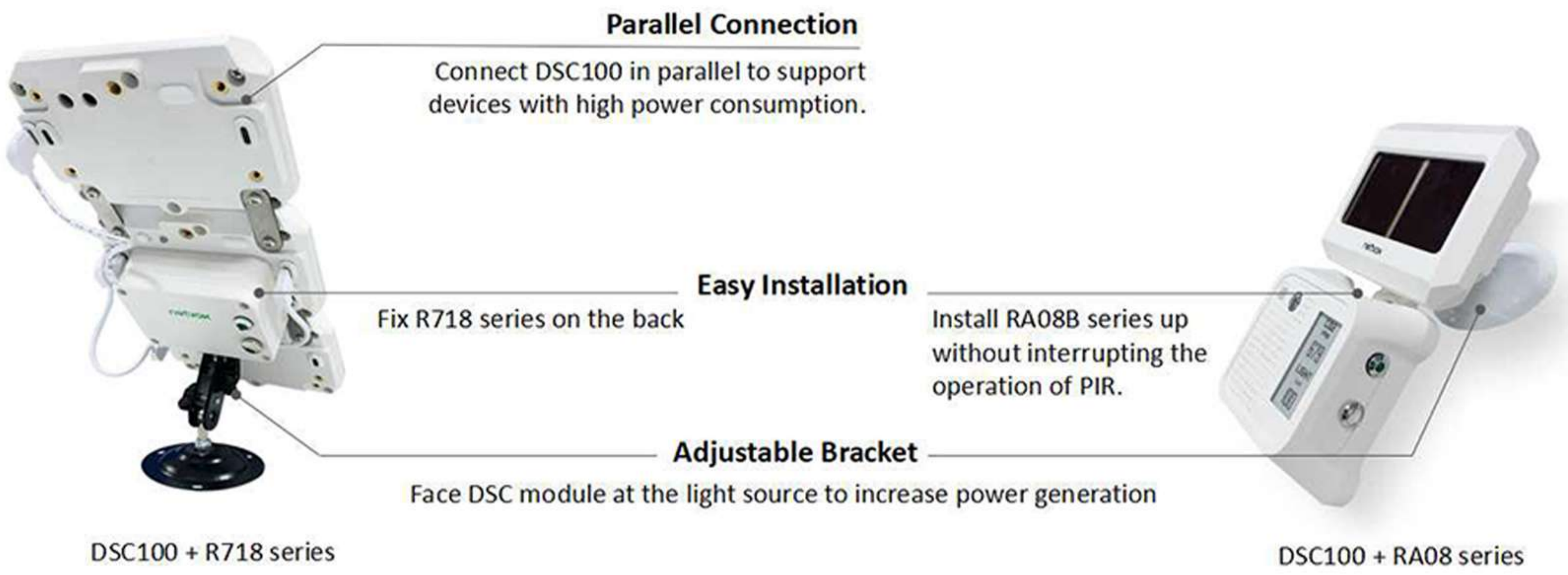
Patent Pending

Indoor Renewable Energy Power Bank for IoT

5 Reasons Why You Must Have a DSC100

- Cut labor cost
- Reduce quality issues of battery replacement
- Meet Zero Carbon goal
- Enhance company and project image
- Get government subsidy

DSC100 Power R718 and RA08 Series

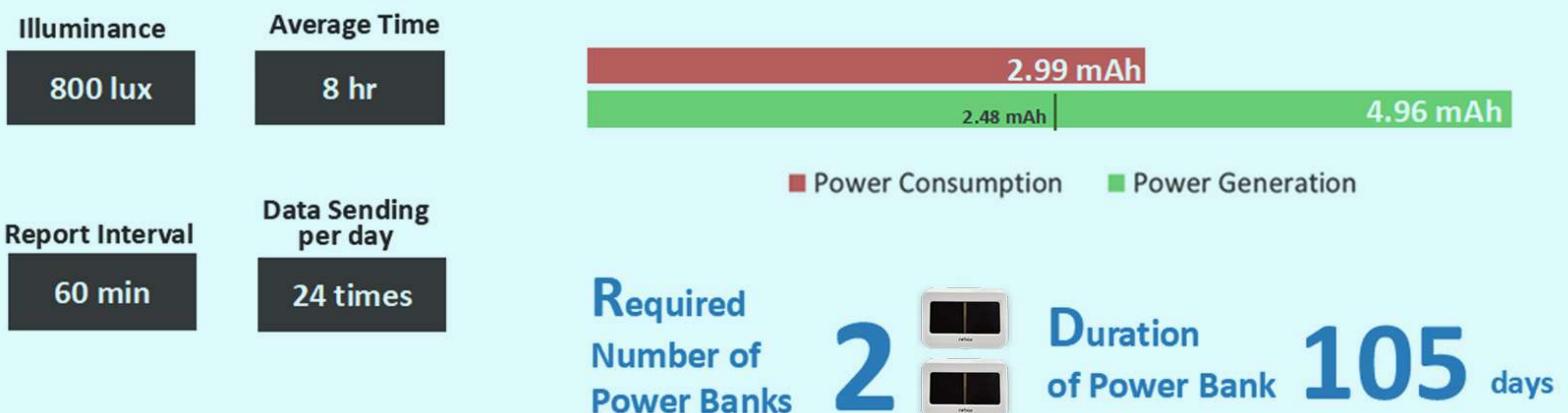


R718 Series DSC Battery Calculation



[R718EC]

A three-axis accelerometer device that can measure velocity and acceleration.



R718N Series DSC Battery Calculation



【R718N325】

a current detector to detect single/three-phase electrical input current

Illuminance

800 lux

Average Time

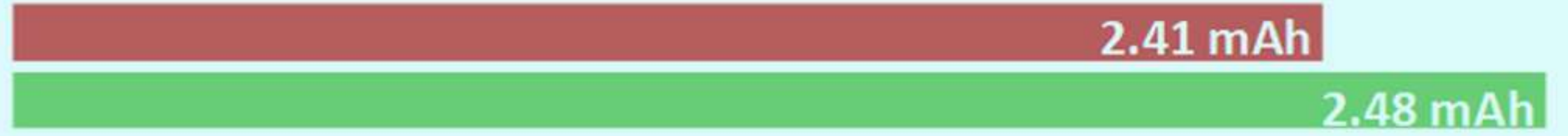
8 hr

Report Interval

60 min

Data Sending per day

24 times



■ Power Consumption ■ Power Generation

Required Number of Power Banks

1



Duration of Power Bank

65.5 days

RA08 Series Features



1. Settable Threshold Alarm

Customize your device a threshold alarm to fit every scenario

2. 2.13 inch E-ink display

Easy to check data by just one peek

3. Multifunctional built-in sensors

Temperature, humidity, TVOC, light, atmospheric pressure, PIR, and CO2 detection

RA08 Series DSC Battery Calculation



【RA08B01】

An indoor sensor for temperature, humidity, TVOC, illuminance, air pressure, PIR, and CO2 detection

Illuminance

1000 lux

Average Time

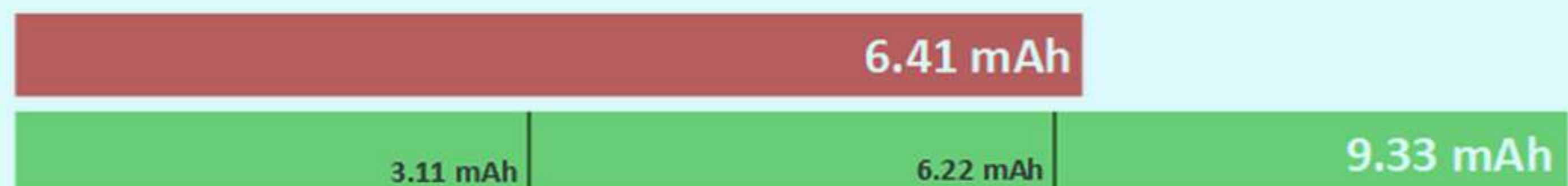
8 hr

Report Interval

30 min

Data Sending per day

48 times



■ Power Consumption ■ Power Generation

Required Number of Power Banks

3



Duration of Power Bank

73.9 days